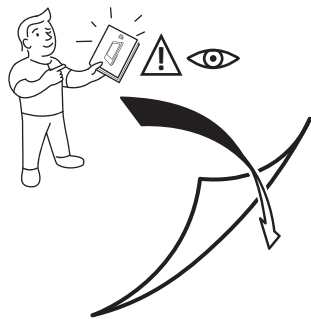
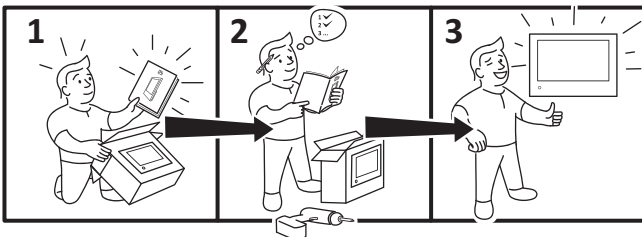
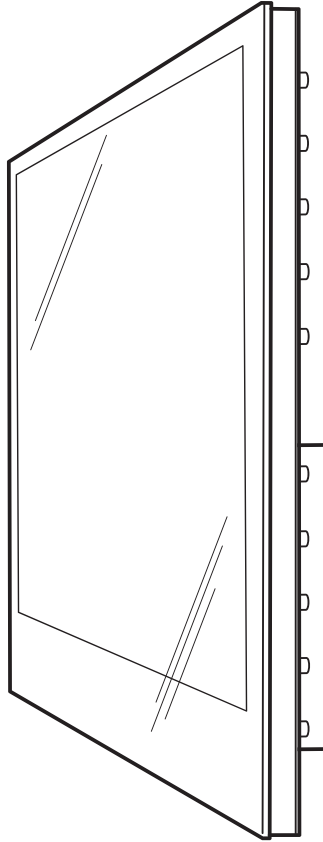
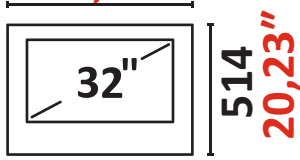
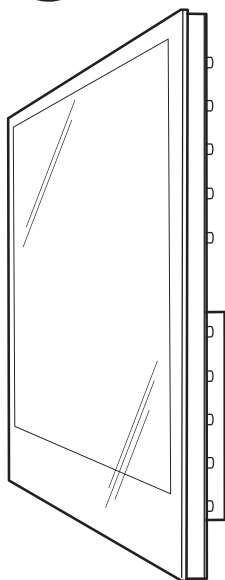
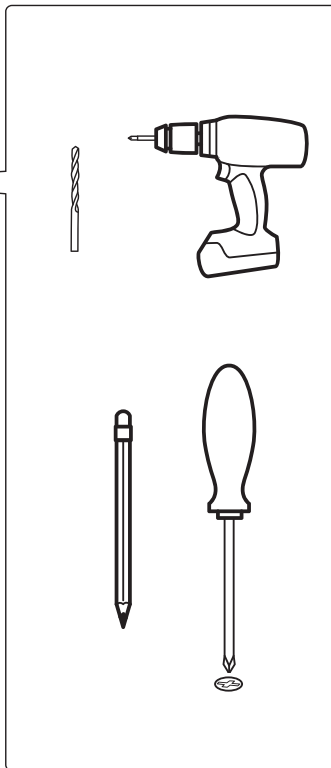


756
29,76"





x8

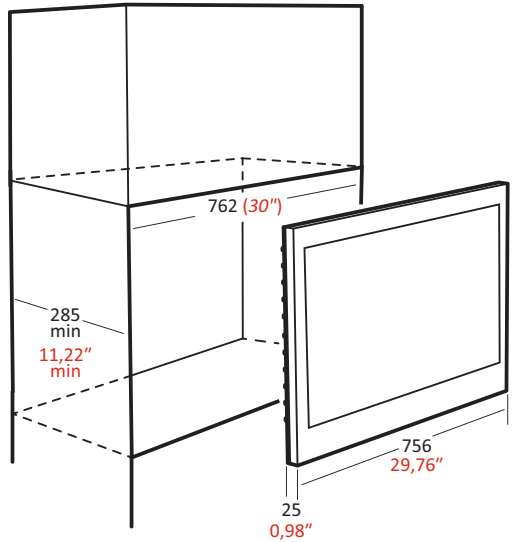
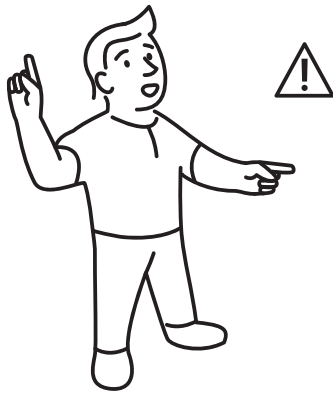
x8

x4

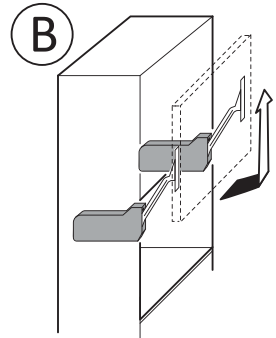
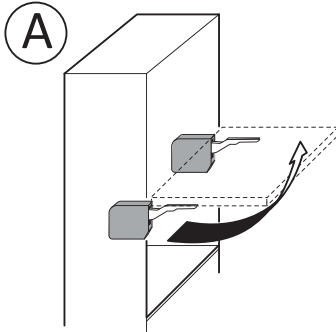


Inch		mm
1/32	.031	1
1/16	.063	1.5
3/32	.094	2
1/8	.125	3
5/32	.156	4
3/16	.188	5
7/32	.219	5.5
1/4	.25	6
9/32	.281	7
5/16	.313	8
11/32	.344	9
3/8	.375	9.5
13/32	.406	10
7/16	.438	11
15/32	.469	12
1/2	.5	13
17/32	.531	13.5
9/16	.563	14
19/32	.594	15
5/8	.625	16
21/32	.656	17
11/16	.688	17.5
23/32	.719	18
3/4	.75	19
25/32	.781	20
13/16	.813	20.5
27/32	.844	21
7/8	.875	22
29/32	.906	23
15/16	.938	24
31/32	.969	24.5
1	1	25.4

1



2



1

blum
Aventos HK29

DTC
DTC TOP STAY SF
SF00AH02A



2

blum
Aventos HK TOP29



3

KESSEBÖHMER
FREEflap forte-F

HÄFELE
Free Flap 3.15 F



1

blum
Aventos HL27/38



2

KESSEBÖHMER
FREESlide Q4us

HÄFELE
Free Up Q4us



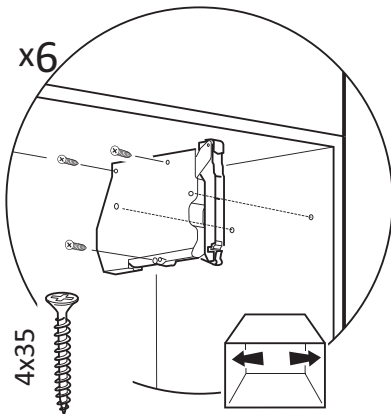
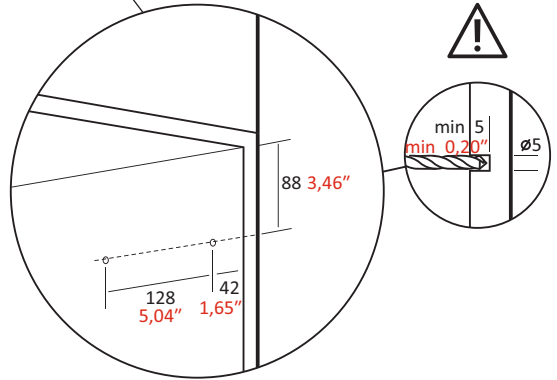
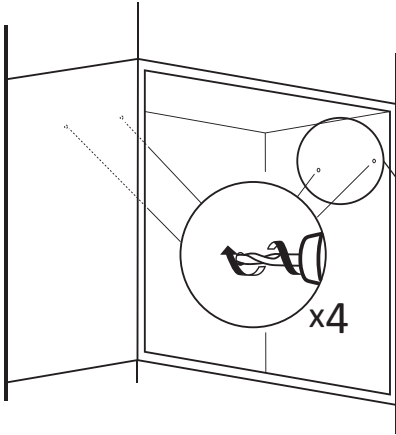
A1

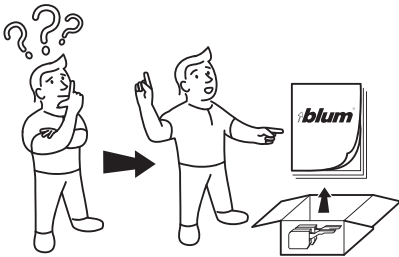
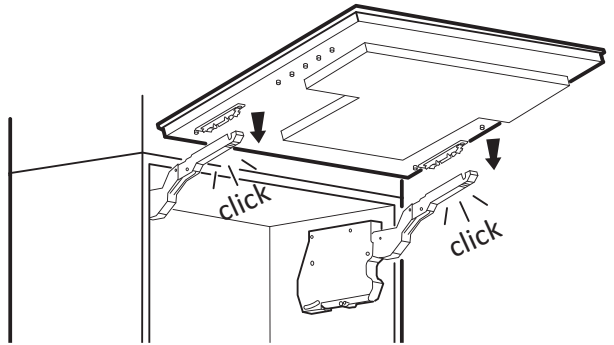
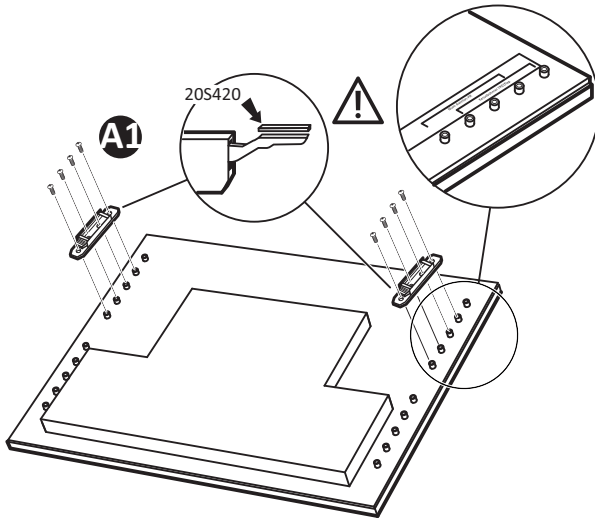
blum

Aventos HK29

DTC
Global Quality Benchmark

DTC TOP STAY SF

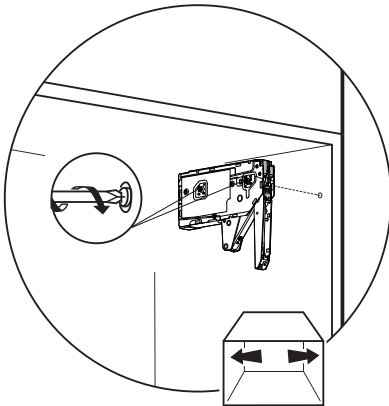
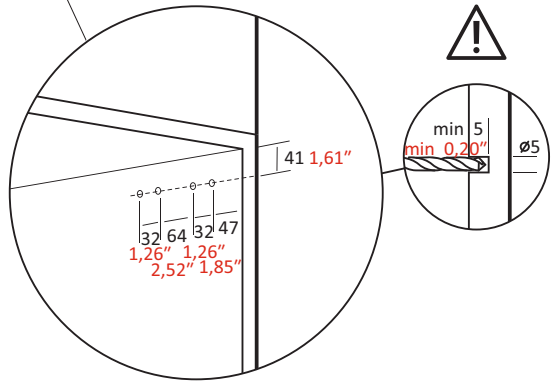
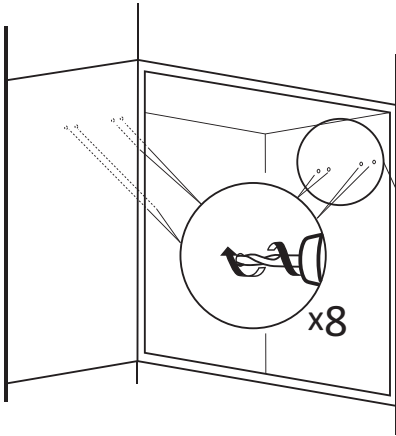


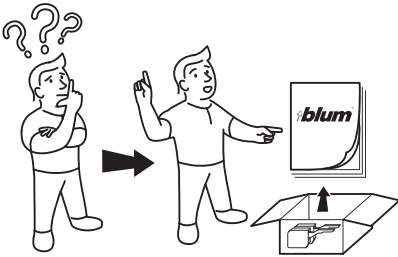
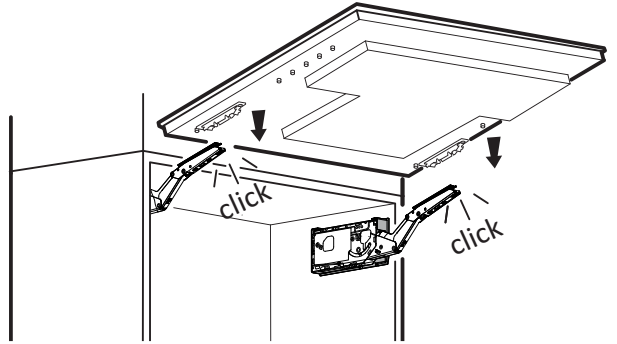
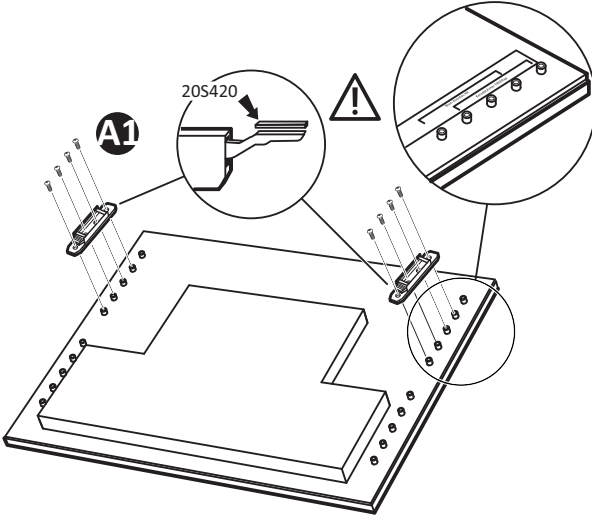


A2

blum

Aventos HK TOP29

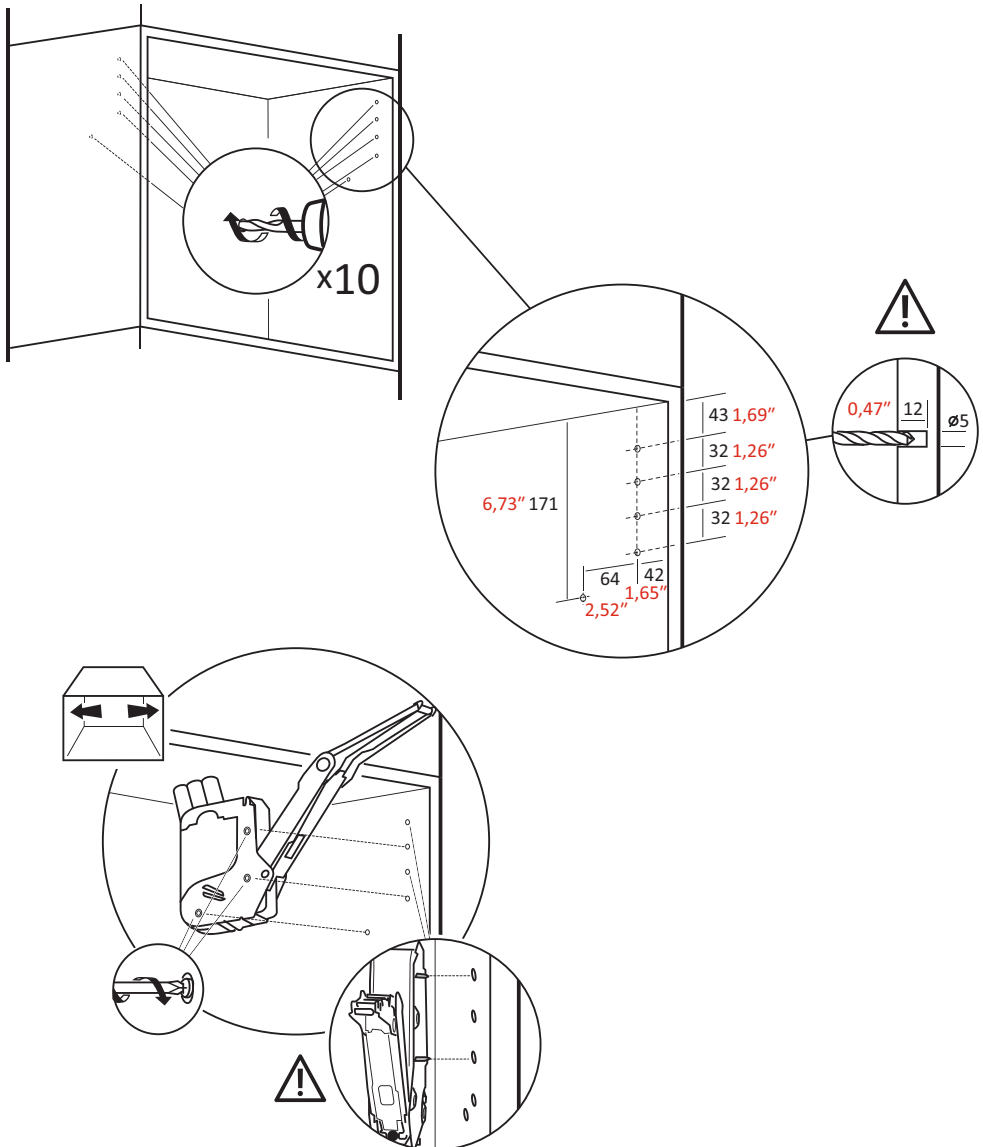


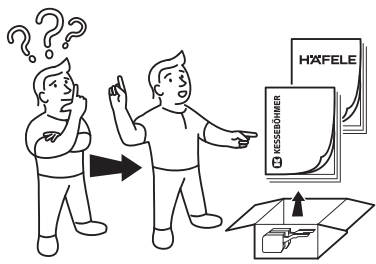
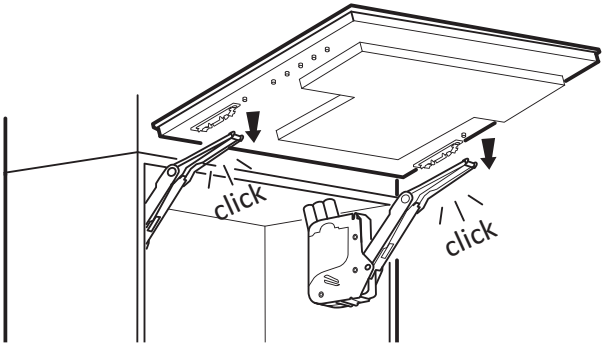
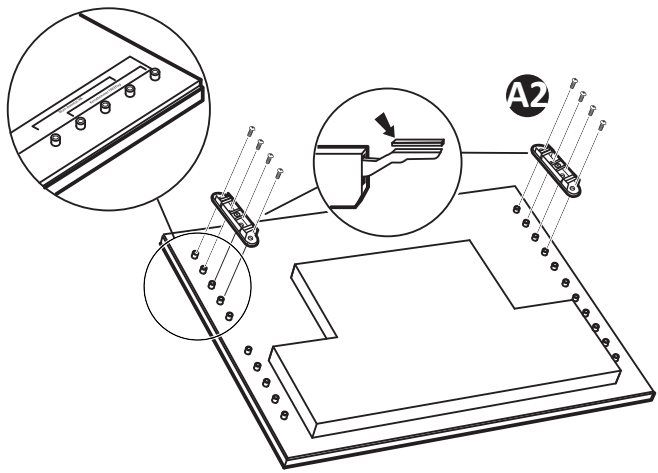


A3

KESSEBÖHMER
FREEflap forte-G

HÄFELE
Free Flap 3.15 G

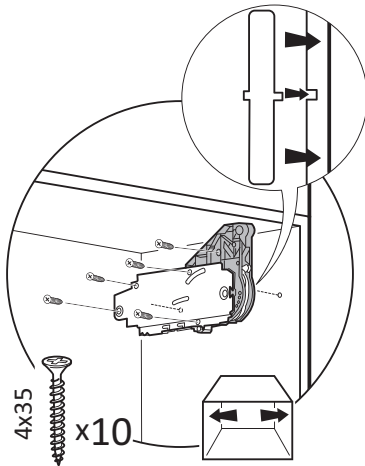
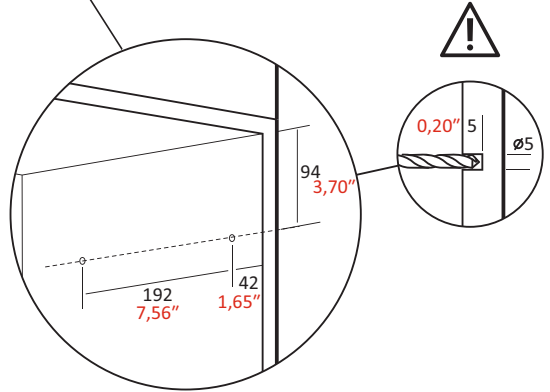
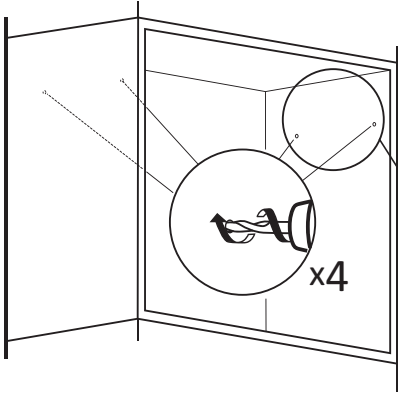


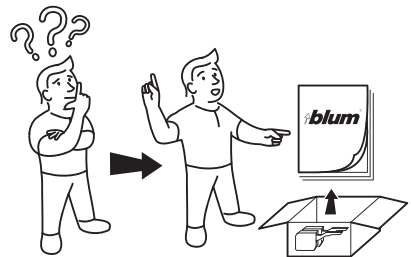
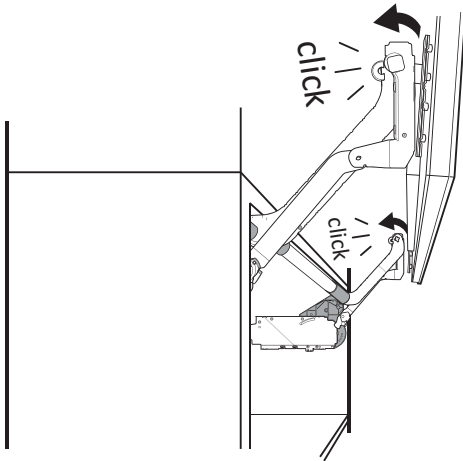
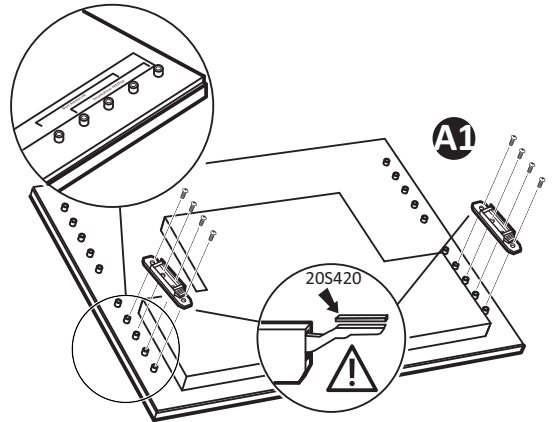
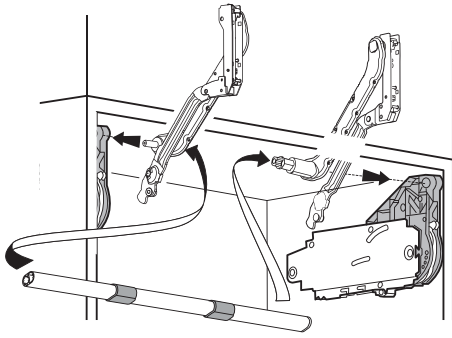


B1

↑ blum®

Aventos HL29/38

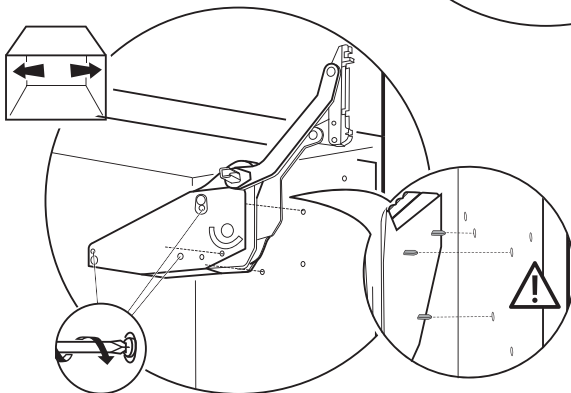
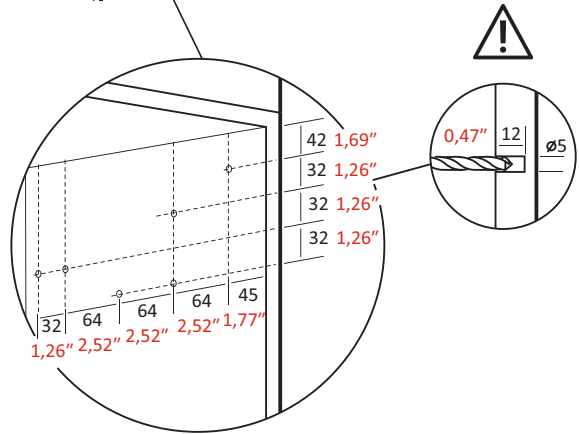
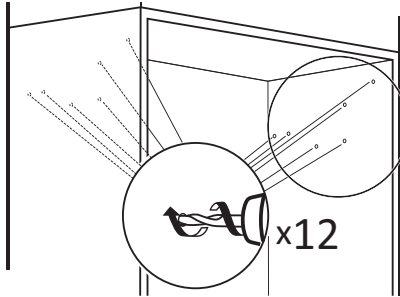


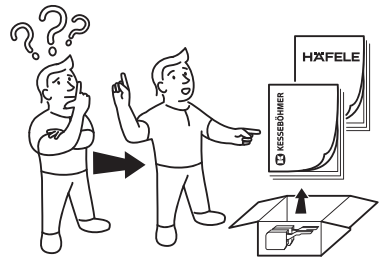
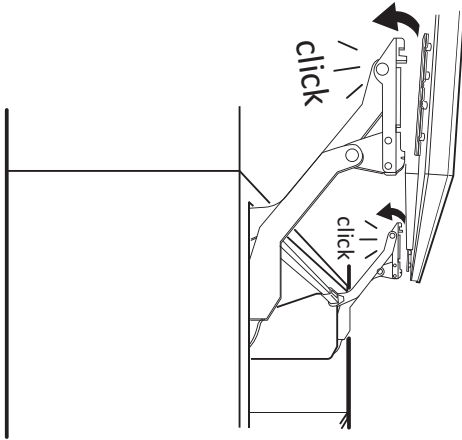
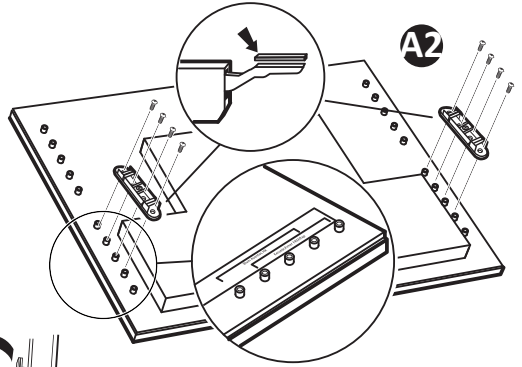
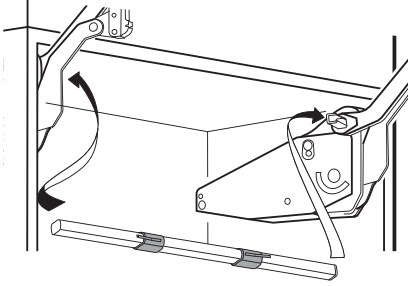


B2

KESSEBÖHMER
FREEslide Q4us

HÄFELE
Free Up Q4us

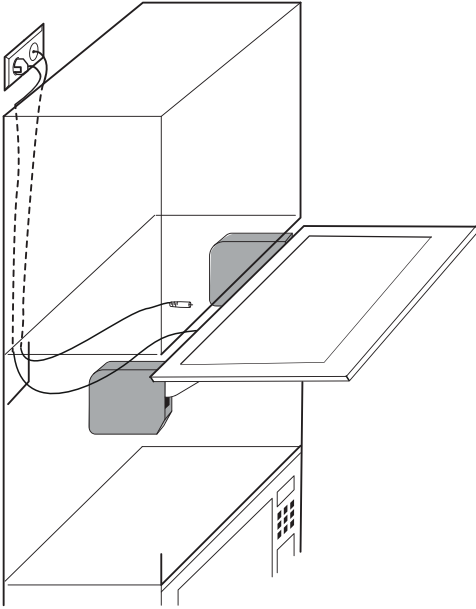




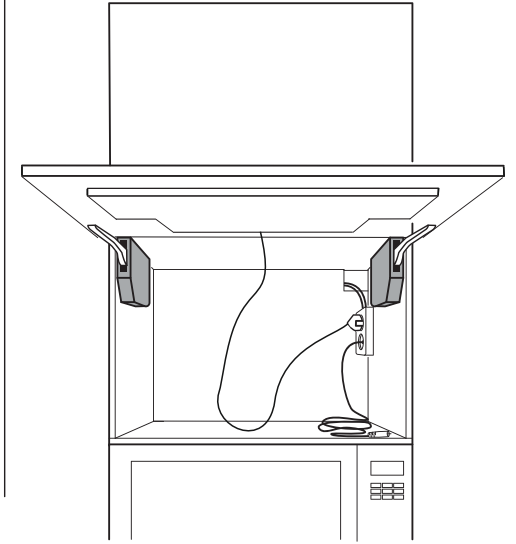
3



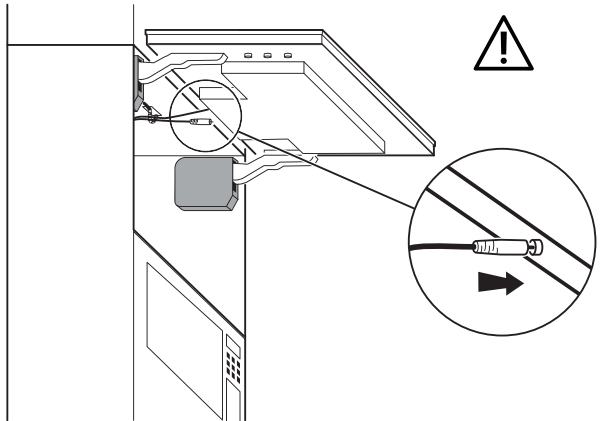
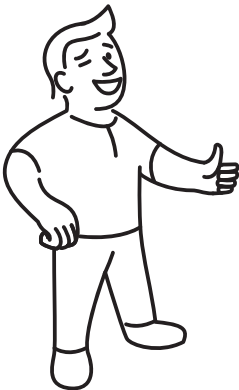
A



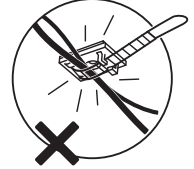
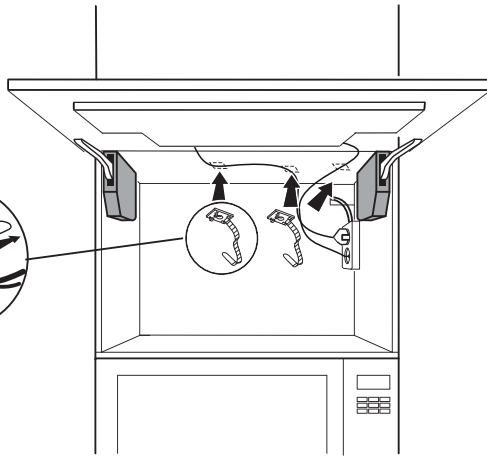
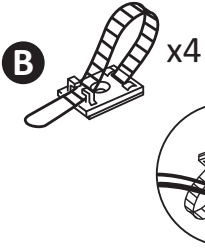
B



4



5



6

